



GIG VISION **GEN<i>i</i>CAM**



sensor information

sensor	Sony IMX273
resolution	1440 × 1080 px
exposure time	0,001 ... 60000 ms
pixel size	3.45 × 3.45 µm
shutter type	Global shutter
sensor type	1/2.9" CMOS

acquisition formats

image formats, interface	Full Frame, 1440 × 1080 px, max. 79 fps
frame rate max.	Binning 2×2, 720 × 540 px, max. 120 fps Binning 2×1, 720 × 1080 px, max. 120 fps Binning 1×2, 720 × 540 px, max. 120 fps
image formats, acquisition	Full Frame, 1440 × 1080 px, max. 121 fps
frame rate max. (Burst Mode)	
pixel formats	BayerRG8 BayerRG10 BayerRG12 BayerRG12 Packed Mono8 Mono10 Mono12 Mono12 Packed RGB8 BGR8

image preprocessing

color models	Mono Raw Bayer RGB BGR
--------------	---------------------------------

interfaces and connectors

data interface	Gigabit Ethernet, Transfer rate 1000 Mbts/sec, Fast Ethernet, Transfer Rate 100 Mbts/sec, Connector: 8P8C Modular Jack (RJ45), screwable type
----------------	---

interfaces and connectors

process interface	M8 / 8 pins (SACC-DSI-M8MS-8CON-M8-L180)
power supply	M8 / 8 pins or PoE

mechanical data

lens mount	C-mount
width	29 mm
height	29 mm
depth	49 mm
weight	≤ 120 g
material	zinc die casting, nickel-plated, IP 40

electrical data

power consumption	approx. 2,4 W @ 12 VDC and 79 fps approx. 3,0 W @ 48 VDC (PoE) and 79 fps
-------------------	--

non-volatile memory

flash memory size	128 kB
-------------------	--------

environmental conditions

operating temperature	+5 ... +65 °C @ T = measurement point
humidity	10 ... 90 % (non-condensing)
protection class	IP 40

digital I/Os

lines	1 input line 1 output line 2 general purpose lines
-------	--

conformity

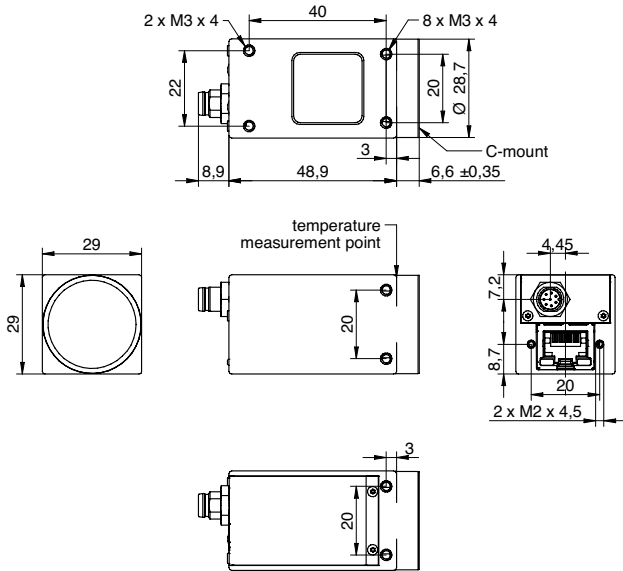
conformity	CE RoHS EAC
------------	-------------------

VCXG-15C

Gigabit Ethernet, 1,5 Megapixel, Color

Article number: 11182959

dimension drawing



945 East 11th Avenue Tampa, FL 33605

Phone: (813) 984-0125

Contact: Sales@pyramidimaging.com

<https://pyramidimaging.com>