



GIG VISION **GEN<i>i>CAM**



sensor information

sensor	ON Semiconductor PYTHON300
resolution	640 × 480 px
exposure time	0,02 ... 1000 ms
pixel size	4.8 × 4.8 μm
shutter type	Global shutter
sensor type	1/4" CMOS

acquisition formats

image formats, interface	Full Frame, 640 × 480 px, max. 403 fps
frame rate max.	Binning 2×2, 320 × 240 px, max. 595 fps Binning 2×1, 320 × 480 px, max. 595 fps Binning 1×2, 640 × 240 px, max. 595 fps
image formats, acquisition	Full Frame, 640 × 480 px, max. 595 fps
frame rate max. (Burst Mode)	
pixel formats	Mono8 Mono10

image preprocessing

analog controls	Gain (0 ... 12 dB) Offset (0 ... 63 LSB 10 Bit)
color models	Mono

interfaces and connectors

data interface	Gigabit Ethernet, Transfer rate 1000 Mb/s/sec, Fast Ethernet, Transfer Rate 100 Mb/s/sec, Connector: 8P8C Modular Jack (RJ45), screwable type
process interface	M8 / 8 pins (SACC-DSI-M8MS-8CON-M8-L180)
power supply	M8 / 8 pins or PoE

mechanical data

lens mount	C-mount
width	29 mm
height	29 mm
depth	49 mm

mechanical data

weight	≤ 120 g
material	zinc die casting, nickel-plated, IP 40

electrical data

voltage supply	12 ... 24 V DC (external power supply)
range +Vs	36 ... 57 V DC (Power over Ethernet)
power consumption	approx. 2,6 W @ 12 VDC and 403,0 fps approx. 3,2 W @ 48 VDC (PoE) and 403,0 fps

non-volatile memory

flash memory size	128 kB
-------------------	--------

environmental conditions

operating temperature	+5 ... +65 °C @ T = measurement point
humidity	10 ... 90 % (non-condensing)
protection class	IP 40

digital I/Os

lines	1 input line 1 output line 2 general purpose lines
-------	--

conformity

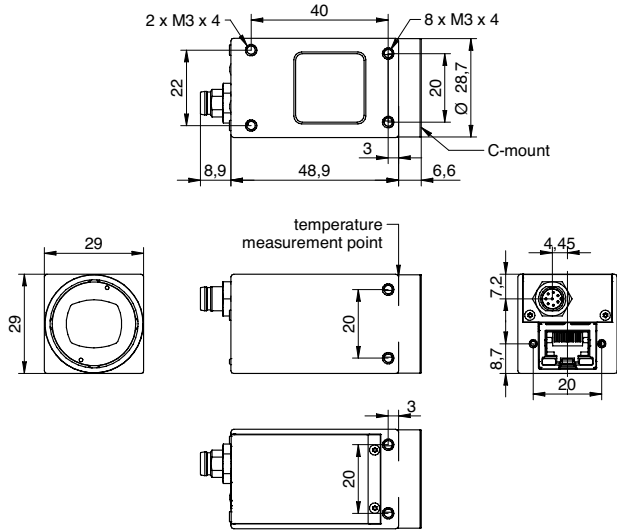
conformity	CE RoHS KC (MISP-REI-BKR-VCXG-13M) EAC
------------	---

VCXG-02M

Gigabit Ethernet, 0,3 Megapixel, Monochrome

Article number: 11165842

dimension drawing



945 East 11th Avenue Tampa, FL 33605

Phone: (813) 984-0125

Contact: Sales@ pyramidimaging.com

<https://pyramidimaging.com>