



**USB<sup>3</sup>**  
VISION **GEN*i*CAM**



#### sensor information

sensor	Sony IMX226
resolution	4000 × 3000 px
exposure time	0,0044 ... 60000 ms
pixel size	1.85 × 1.85 µm
shutter type	Rolling shutter Global reset shutter
sensor type	1/1.7" CMOS

#### acquisition formats

image formats, interface	Full Frame, 4000 × 3000 px, max. 29 fps Binning 2×2, 2000 × 1500 px, max. 31 fps
frame rate max.	Binning 2×1, 2000 × 3000 px, max. 29 fps Binning 1×2, 4000 × 1500 px, max. 31 fps

image formats, acquisition frame rate max. (Burst Mode)	Full Frame, 4000 × 3000 px, max. 31 fps
--	---

pixel formats	BayerRG8 BayerRG10 BayerRG12 BayerRG12 Packed Mono8 Mono10 Mono12 Mono12 Packed RGB8 BGR8
---------------	--

#### image preprocessing

analog controls	Gain (0 ... 20 dB) Offset (0 ... 255 LSB 12 Bit)
color models	Mono Raw Bayer RGB BGR

#### interfaces and connectors

data interface	USB 3.0, Transfer Rate 5000 Mb/s/sec, Connector: USB 3.0 Micro B
process interface	M8 / 8 pins (SACC-DSI-M8MS-8CON-M8-L180)
power supply	via USB 3.0 interface

#### mechanical data

lens mount	C-mount
width	29 mm
height	29 mm
depth	38 mm
weight	≤ 90 g
material	zinc die casting, nickel-plated, IP 40

#### electrical data

power consumption	approx. 3,3 W @ 29 fps
operating voltage	5 VDC (via USB3.0 interface)

#### non-volatile memory

flash memory size	128 kB
-------------------	--------

#### environmental conditions

operating temperature	+5 ... +60 °C @ T = measurement point
humidity	10 ... 90 % (non-condensing)
protection class	IP 40

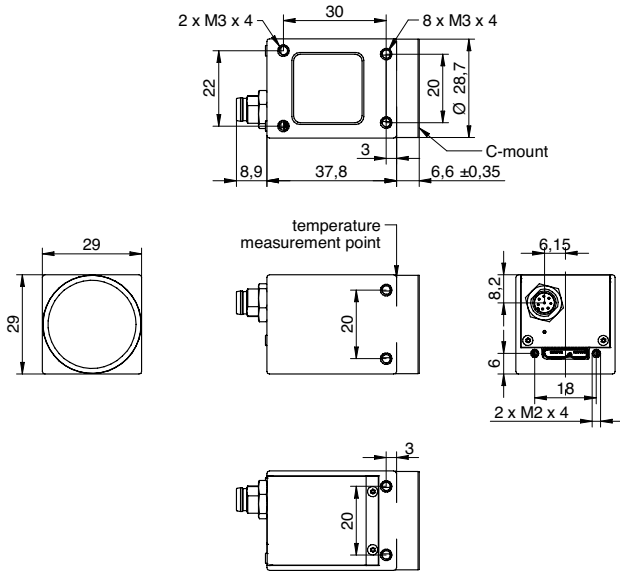
#### digital I/Os

lines	1 input line 1 output line 2 general purpose lines
-------	--

#### conformity

conformity	CE RoHS EAC
------------	-------------------

**dimension drawing**



945 East 11<sup>th</sup> Avenue Tampa, FL 33605

Phone: (813) 984-0125

Contact: Sales@ pyramidimaging.com

<https://pyramidimaging.com>