



USB³
VISION **GEN*i*CAM**



sensor information

sensor	Sony IMX304
resolution	4096 × 3000 px
exposure time	0,001 ... 60000 ms
pixel size	3.45 × 3.45 μm
shutter type	Global shutter
sensor type	1.1" CMOS

acquisition formats

image formats, interface frame rate max.	Full Frame, 4096 × 3000 px, max. 29 fps Binning 2×2, 2048 × 1500 px, max. 29 fps Binning 2×1, 2048 × 3000 px, max. 29 fps Binning 1×2, 2048 × 1500 px, max. 29 fps
image formats, acquisition frame rate max. (Burst Mode)	Full Frame, 4096 × 3000 px, max. 29 fps
pixel formats	BayerRG8 BayerRG10 BayerRG12 BayerRG12 Packed Mono8 Mono10 Mono12 Mono12 Packed RGB8 BGR8

image preprocessing

analog controls	Gain (0 ... 48 dB) Offset (0 ... 255 LSB 12 Bit)
color models	Mono Raw Bayer RGB BGR

interfaces and connectors

data interface	USB 3.0, Transfer Rate 5000 Mbits/sec, Connector: USB 3.0 Micro B
----------------	--

interfaces and connectors

process interface	M8 / 8 pins (SACC-DSI-M8MS-8CON-M8-L180)
power supply	via USB 3.0 interface

mechanical data

lens mount	C-mount
width	29 mm
height	29 mm
depth	38 mm
weight	≤ 90 g
material	zinc die casting, nickel-plated, IP 40

electrical data

power consumption	approx. 3,7 W @ 29 fps
operating voltage	5 VDC (via USB3.0 interface)

non-volatile memory

flash memory size	128 kB
-------------------	--------

environmental conditions

operating temperature	+5 ... +65 °C @ T = measurement point
humidity	10 ... 90 % (non-condensing)
protection class	IP 40

digital I/Os

lines	1 input line 1 output line 2 general purpose lines
-------	--

conformity

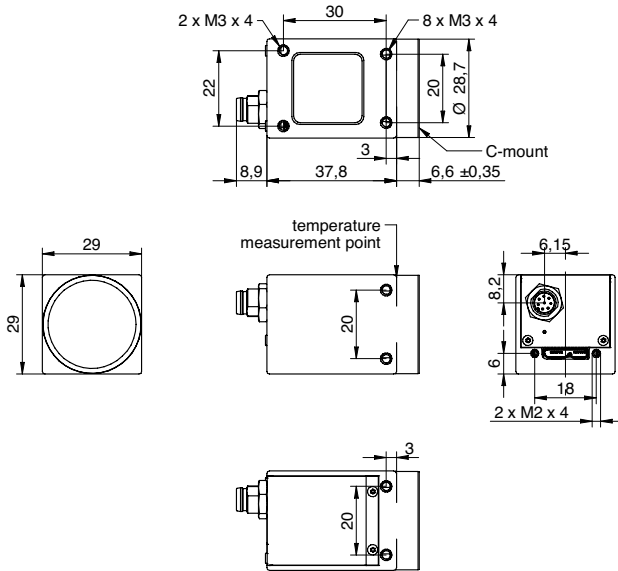
conformity	CE RoHS EAC
------------	-------------------

VCXU-124C

USB 3.0, 12,3 Megapixel, Color

Article number: 11172608

dimension drawing



945 East 11th Avenue Tampa, FL 33605

Phone: (813) 984-0125

Contact: Sales@ pyramidimaging.com

<https://pyramidimaging.com>