



GIG VISION **GEN<i>i>CAM**



sensor information

sensor	Sony IMX183
resolution	5472 × 3648 px
exposure time	0,00115 ... 60000 ms
pixel size	2.4 × 2.4 μm
shutter type	Rolling shutter Global reset shutter
sensor type	1" CMOS

acquisition formats

image formats, interface	Full Frame, 5472 × 3648 px, max. 6 fps Binning 2×2, 2736 × 1824 px, max. 9 fps
frame rate max.	Binning 2×1, 2736 × 3648 px, max. 6 fps Binning 1×2, 5472 × 1824 px, max. 9 fps

image formats, acquisition	Full Frame, 5472 × 3648 px, max. 9 fps
frame rate max. (Burst Mode)	

pixel formats	Mono8 Mono10 Mono12 Mono12 Packed
---------------	--

image preprocessing

analog controls	Gain (0 ... 20 dB) Offset (0 ... 255 LSB 12 Bit)
-----------------	---

color models	Mono
--------------	------

interfaces and connectors

data interface	Gigabit Ethernet, Transfer rate 1000 Mb/s/ sec, Fast Ethernet, Transfer Rate 100 Mb/s/ sec, Connector: 8P8C Modular Jack (RJ45), screwable type
process interface	M8 / 8 pins (SACC-DSI-M8MS-8CON-M8-L180)
power supply	M8 / 8 pins or PoE

mechanical data

lens mount	C-mount
width	29 mm

mechanical data

height	29 mm
depth	49 mm
weight	≤ 120 g
material	zinc die casting, nickel-plated, IP 40

electrical data

power consumption	approx. 2,5 W @ 12 VDC and 6 fps approx. 3,0 W @ 48 VDC (PoE) and 6 fps
-------------------	--

non-volatile memory

flash memory size	128 kB
-------------------	--------

environmental conditions

operating temperature	+5 ... +65 °C @ T = measurement point
humidity	10 ... 90 % (non-condensing)
protection class	IP 40

digital I/Os

lines	1 input line 1 output line 2 general purpose lines
-------	--

conformity

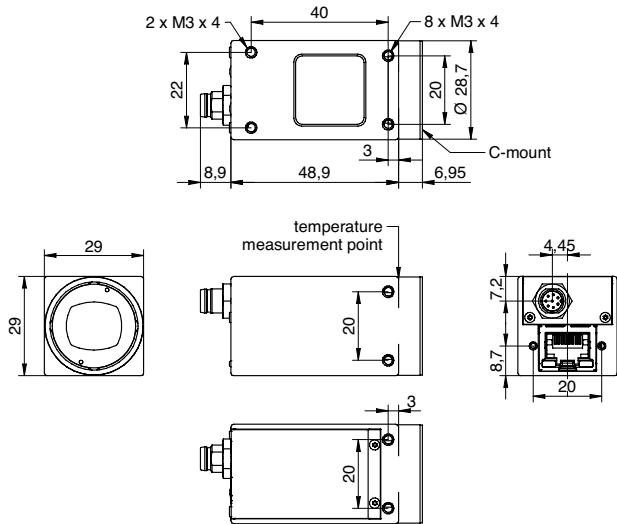
conformity	CE RoHS KC (R-REI-BkR-VCXG-201MR) EAC
------------	--

VCXG-201M.R

Gigabit Ethernet, 20 Megapixel, Monochrome

Article number: 11194343

dimension drawing



945 East 11th Avenue Tampa, FL 33605

Phone: (813) 984-0125

Contact: Sales@ pyramidimaging.com

<https://pyramidimaging.com>