

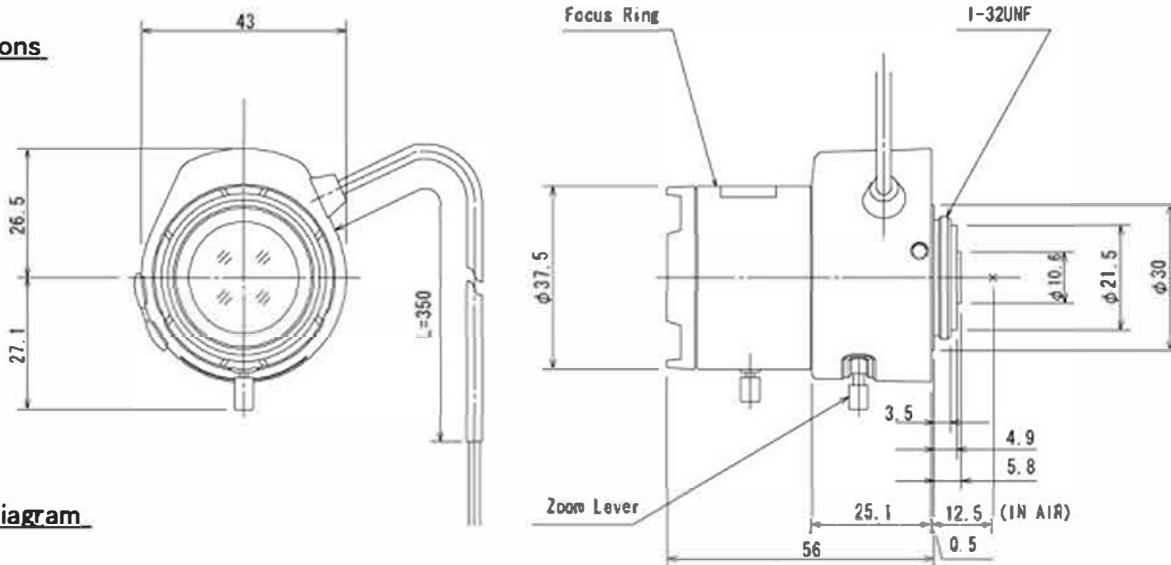
# TG4Z2813AFCS-IR



4X 2.8mm-12mm F1.3 Day & Night  
 for 1/3 type Cameras, Vari-focal Auto Iris VIDEO Drive  
 CS-Mount

Model No.	TG4Z2813AFCS-IR		Effective	Front	φ 23.0mm
Focal Length	2.8mm - 12mm		Lens Aperture	Rear	φ 7.4mm
Max. Aperture Ratio	1:1.3		Back Focal	Tele	19.2mm
Max. Image Format	4.8mm x 3.6mm(φ 6mm)		Length	Wide	7.2mm
Operation Range	Iris	F1.3 - F360	Flange Back Length		12.5mm
	Focus	0.3m - Inf.	Mount		CS-Mount
	Zoom	2.8mm - 12mm	Filter Size		—
Control	Iris	VIDEO Auto Iris	Dimensions		φ 37.5mm x 48mm x 56mm
	Focus	Manual	Weight		(74g)
	Zoom	Manual			
Angle of View	D	1/3 type	133.0° - 29.7°	1/4 type	95.0° - 22.3°
	H		102.2° - 23.7°		74.2° - 17.8°
	V		74.2° - 17.8°		54.7° - 13.3°
Supply Voltage	DC8.5V - DC16V				
Current	Less than 40mA				
Response Time	Approx. 2 sec.				
Light Weighting Method	Adjustable between Average-Peak (to be Set at Average at Factory)				
Input Signal	Video Signal (V. or V.S.)				
Iris Accuracy	± 15% at Video Signal Level				
Sensitivity Adjustment	0.5V(p-p) - 1.0V(p-p)(Video Signal)				
Input Impedance	High Impedance				
Operating Temperature	-10°C - +50°C				

## Dimensions



## Wiring Diagram

