

TG3Z2910AFCS-IR



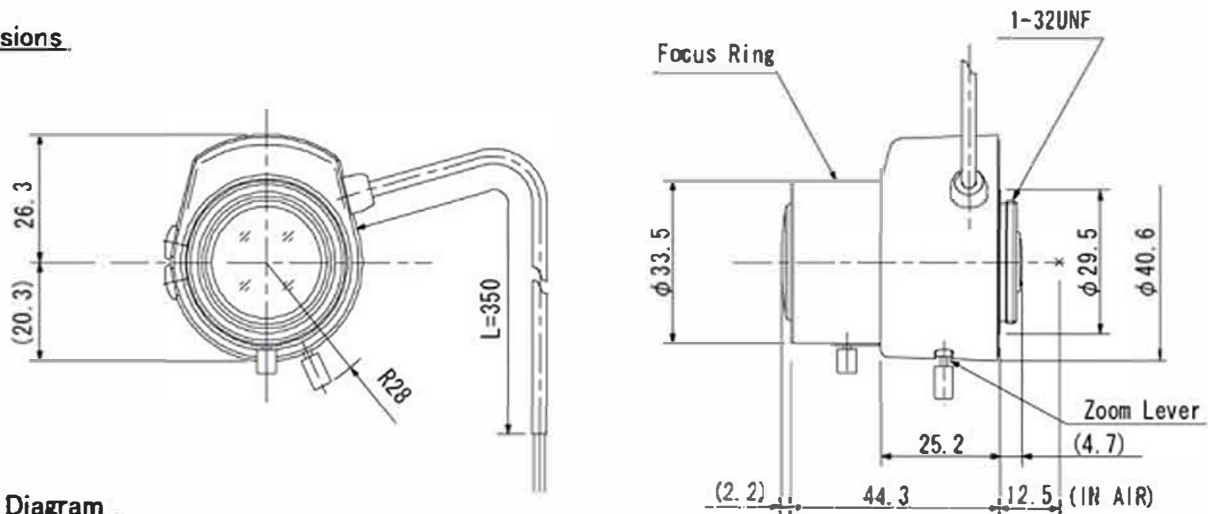
Pyramid Imaging

945 East 11th Avenue Tampa, FL 33605
 sales@pyramidimaging.com
 www.pyramidimaging.com
 813-786-3785

3X 2.9mm-8.2mm F1.0 Day & Night
 for 1/3 type Cameras, Vari-focal Auto Iris VIDEO Drive
 CS-Mount

Model No.	TG3Z2910AFCS-IR		Effective	Front	φ 19.0mm	
Focal Length	2.9mm - 8.2mm		Lens Aperture	Rear	φ 8.5mm	
Max. Aperture Ratio	1:1.0		Back Focal	Tele	14.0mm	
Max. Image Format	4.8mm x 3.6mm (φ 6mm)		Length	Wide	7.8mm	
Operation Range	Iris	F1.0 - F360C	Flange Back Length		12.5mm	
	Focus	0.5m - Inf.	Mount		CS-Mount	
	Zoom	2.9mm - 8.2mm	Filter Size		—	
Control	Iris	VIDEO Auto Iris	Dimensions		φ 33.5mm x 46.6mm x 44.3mm	
	Focus	Manual	Weight		(54g)	
	Zoom	Manual				
Angle of View	D	1/3 type	125.6° - 44.7°	1/4 type	88.3° - 33.4°	
	H		95.0° - 35.6°		69.0° - 26.7°	
	V		69.0° - 26.7°		51.0° - 20.0°	
Supply Voltage	DC8.5V - DC16V					
Current	Less than 40mA					
Response Time	Approx. 2 sec.					
Light Weighting Method	Adjustable between Average-Peak (to be Set at Average at Factory)					
Input Signal	Video Signal (V. or V.S.)					
Iris Accuracy	± 15% at Video Signal Level					
Sensitivity Adjustment	0.5V(p-p) - 1.0V(p-p)(Video Signal)					
Input Impedance	High Impedance					
Operating Temperature	-10°C - +50°C					

Dimensions



Wiring Diagram

