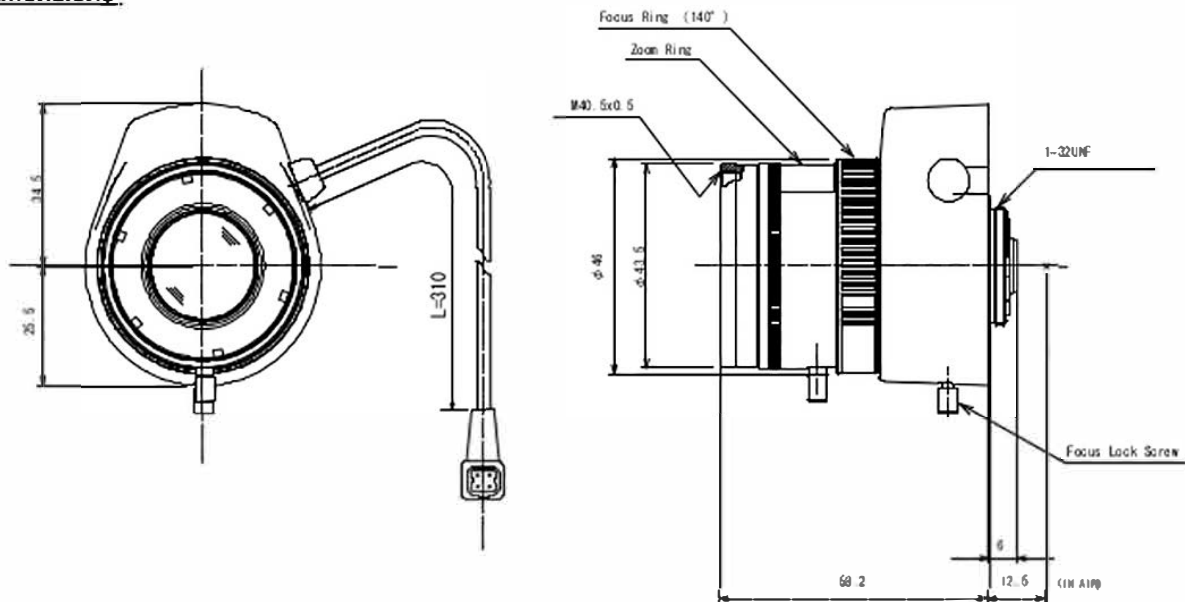


AG4Z1214KCS-MPIR

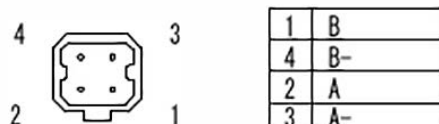
**4X 12.5mm-50mm F1.4 Day & Night
for 1/2.7 type Megapixel Cameras, Vari-focal Auto Iris Stepping Motor
CS-Mount**

Model No.	AG4Z1214KCS-MPIR		Effective	Front	φ 21.7mm		
Focal Length	12.5mm - 50mm		Lens Aperture	Rear	φ 9.1mm		
Max. Aperture Ratio	1:1.4		Back Focal Length	Tele	7.3mm		
Max. Image Format	3.2mm x 5.8mm(φ 6.6mm)			Wide	11.6mm		
Operation Range	Iris	F1.4 - F16C		Flange Back Length		12.5mm	
	Focus	1.0m - Inf.		Mount		CS-Mount	
	Zoom	12.5mm - 50mm		Filter Size		M40.5 P=0.5mm	
Control	Iris	Stepping Motor		Dimensions		φ 46 mm x 60mm x 58.2 mm	
	Focus	Manual		Weight		81g	
	Zoom	Manual					
Angle of View	D	1/2.7 type	30.3° - 7.7°	1/2.7 type	30.3° - 7.7°	1/3 type	27.4° - 7.0°
	H	(16:9)	26.3° - 6.7°	(4:3)	24.0° - 6.2°	(4:3)	21.7° - 5.6°
	V		14.5° - 3.8°		17.8° - 4.7°		16.2° - 4.3°
Operating Temperature	-10°C - +50°C						

Dimensions



Wiring Diagram



Pyramid Imaging

945 East 11th Avenue Tampa, FL 33605
 sales@pyramidimaging.com
 www.pyramidimaging.com
 813-786-3785