

# M3Z1228C-MP

3X 12mm - 36mm F2.8  
for 2/3 type Cameras, Megapixel Vari-focal  
C-Mount

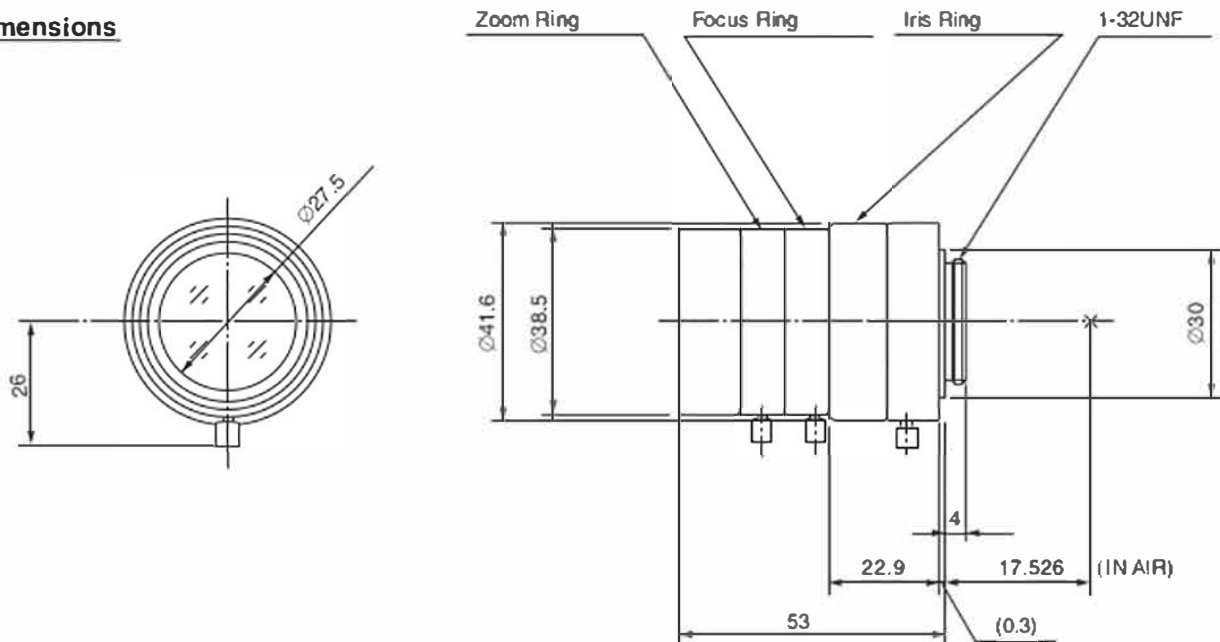
Model No.	M3Z1228C-MP		Effective	Front	Ø27.2mm		
Focal Length	12mm - 36mm		Lens Aperture	Rear	Ø12.1mm		
Max. Aperture Ratio	1:2.8		Back Focal Length	Tele	13.5mm		
Max. Image Format	8.8mm x 6.6mm(Ø11mm)			Wide	14.7mm		
Operation Range	Iris	F2.8 - F16C		2/3 type	Tele +3.5%( $\gamma=5.5$ )		
	Focus	Tele	0.2m - Inf.		Wide -2.6%( $\gamma=5.5$ )		
		Wide	0.05m - Inf.	1/2 type	Tele +1.7%( $\gamma=4.0$ )		
Zoom	12mm - 36mm		Wide -1.9%( $\gamma=4.0$ )				
Control	Iris	Manual		Flange Back Length			
	Focus	Manual		Mount			
	Zoom	Manual		Filter Size			
Object Dimension at M.O.D.	12mm	2/3 type	4.0cm x 3.0cm	Dimensions			
	36mm		4.8cm x 3.6cm	Weight			
Angle of View	D	2/3 type	50.4° - 16.8°	1/2 type	37.5° - 12.5°	1/3 type	28.3° - 9.4°
	H		41.0° - 13.6°		30.2° - 10.0°		22.8° - 7.6°
	V		31.2° - 10.4°		22.8° - 7.6°		17.1° - 5.7°
Operating Temperature	-20°C - +50°C						

\* For CS-Mount camera, please use 5mm adapter ring.  
M.O.D. : Minimum Object Distance

2/3 type

C

## Dimensions



945 East 11<sup>th</sup> Avenue Tampa, FL 33605

Phone: (813) 984-0125

Contact: Sales@ pyramidimaging.com

<https://pyramidimaging.com>