



945 East 11<sup>th</sup> Avenue Tampa, FL 33605

Phone: (813) 984-0125

Contact: Sales@pyramidimaging.com

<https://pyramidimaging.com>

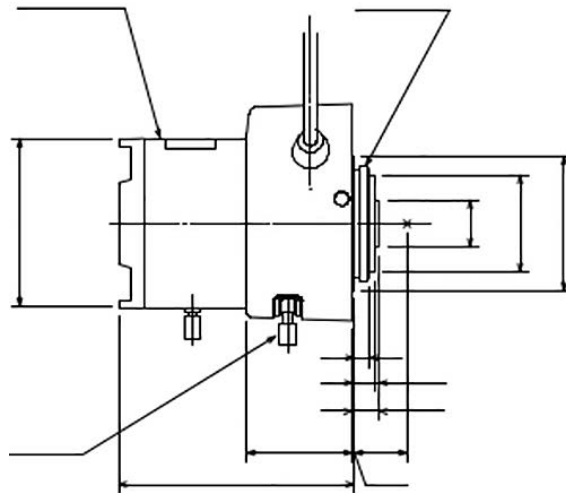
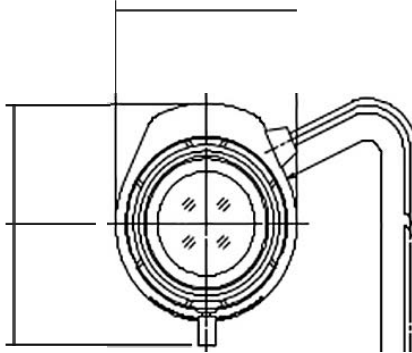


## TG4Z2816FCS-MPIR

**4X 2.8mm-12mm F1.6 Day & Night  
for 1/3 type 1.3 Mega pixel Cameras, Vari-focal Auto Iris DC Drive  
CS-Mount**

Model No.	TG4Z2816FCS-MPIR		Effective	Front	φ 23.0mm
Focal Length	2.8mm - 12mm		Lens Aperture	Rear	φ 7.4mm
Max. Aperture Ratio	1:1.3		Back Focal	Tele	19.2mm
Max. Image Format	4.8mm x 3.6mm (φ 6mm)		Length	Wide	7.2mm
Operation Range	Iris	F1.6 - F360	Flange Back Length		12.5mm
	Focus	0.3m - Inf	Mount		CS-Mount
	Zoom	2.8mm - 12mm	Filter Size		—
Control	Iris	DC Auto Iris	Dimensions		φ 37.5mm x 48mm x 56mm
	Focus	Manual	Weight		71g
	Zoom	Manual			
Angle of View	D	1/3 type	133.0° - 29.7°	1/4 type	95.0° - 22.3°
	H		102.2° - 23.7°		74.2° - 17.8°
	V		74.2° - 17.8°		54.7° - 13.3°
Coil	Drive	190 Ω / 20°C			
	Control	855 Ω / 20°C			
Operating Temperature	-10°C - +50°C				

### Dimensions



Pin No.	Color	Function
1	BROWN	Control(-)
2	RED	Control(+)
3	YELLOW	Drive (+)
4	ORANGE	Drive (-)

Specifications are subject to change without notice.