

# T5Z8513CS-IR

5X 8.5mm - 40mm F1.3 Day & Night type  
for 1/3 type Format Cameras, Vari - Focal, Manual Iris  
CS-Mount

with Focus, w/o Amplifier

1/3  
type

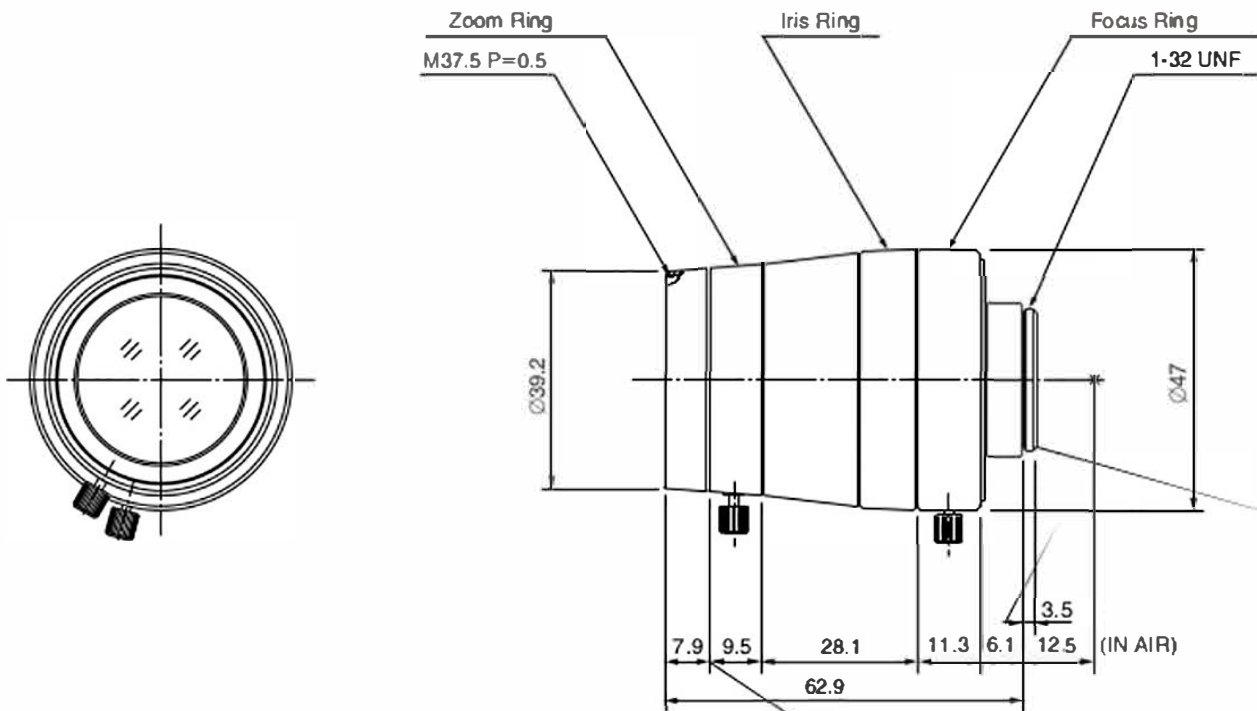
Model No.	T5Z8513CS-IR		Effective	Front	Ø27.0mm
Focal Length	8.5mm - 40mm		Lens Aperture	Rear	Ø9.3mm
Max. Aperture Ratio	1:1.3		Back Focal	Tele	10.6mm
Max. Image Format	4.8mm x 3.6mm(Ø6mm)			Length	Wide
Operation Range	Iris	F1.3 - 16C	Flange Back Length		12.5mm
	Focus	0.8m - Inf.	Mount		CS-Mount
	Zoom	8.5mm - 40mm	Filter Size		M37.5 P=0.5mm
Control	Iris	Manual Iris	Dimensions		Ø47.0mm x 62.9mm
	Focus	Manual	Weight		126g
	Zoom	Manual			
Object Dimension at M.O.D.	8.5mm	48.1cm x 34.5cm			
	40mm	10cm x 7.5cm			
Angle of View	D	1/3 type	43.9° - 8.9°	1/4 type	31.2° - 6.7°
	H		33.5° - 7.1°		24.4° - 5.3°
	V		24.4° - 5.3°		17.4° - 3.8°
Operating Temperature	-20°C - +50°C				

Operates in both visible and infrared light

M.O.D. : Minimum Object Distance

CS

## Dimensions



Z

SP

945 East 11<sup>th</sup> Avenue Tampa, FL 33605

Phone: (813) 984-0125

Contact: Sales@pyramidimaging.com

<https://pyramidimaging.com>

