

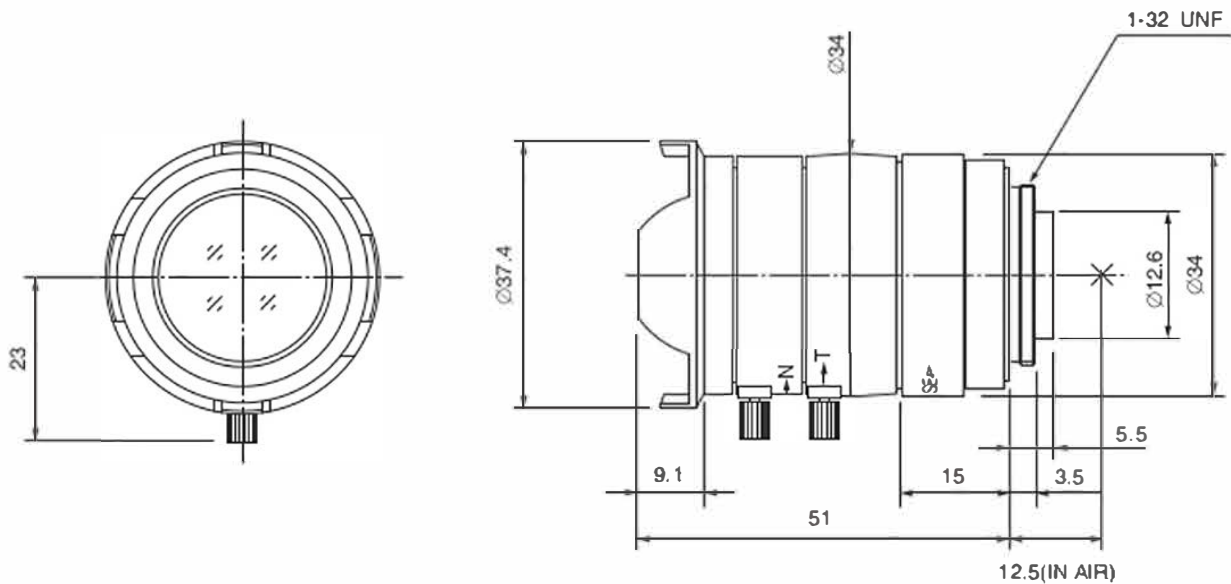
# T2Z1816CS

**2X 1.8mm - 3.6mm F1.6**  
**for 1/3 type Cameras, Vari-focal Manual Iris**  
**CS-Mount**

Model No.	T2Z1816CS		Effective	Front	Ø22.0mm
Focal Length	1.8mm - 3.6mm		Lens Aperture	Rear	Ø7.9mm
Max. Aperture Ratio	1:1.6		Back Focal Length	Tele	10.5mm
Max. Image Format	4.8mm x 3.6mm(Ø6mm)			Wide	7.0mm
Operation Range	Iris	F1.6 - F16C	Flange Back Length		12.5mm
	Focus	0.2m - Inf.	Mount		CS-Mount
	Zoom	1.8mm - 3.6mm	Filter Size		—
Control	Iris	Manual	Dimensions		Ø37.4mm x 51mm
	Focus	Manual	Weight		68g
	Zoom	Manual			
Object Dimension at M.O.D.	1.8mm	123.8cm x 56.5cm			
	3.6mm	33.2cm x 22.9cm			
Angle of View	D	1/3 type	173.8° - 99.0°	1/4 type	135.8° - 74.4°
	H		144.2° - 79.4°		109.5° - 59.6°
	V		109.9° - 59.6°		82.3° - 44.7°
Operating Temperature	-20°C - +50°C				

M.O.D.: Minimum Object Distance

## Dimensions



945 East 11<sup>th</sup> Avenue Tampa, FL 33605

Phone: (813) 984-0125

Contact: Sales@pyramidimaging.com

<https://pyramidimaging.com>