

# T10Z0513CS-2

10X 5mm - 50mm F1.3  
for 1/3 type Cameras, Vari-focal Manual Iris  
CS-Mount

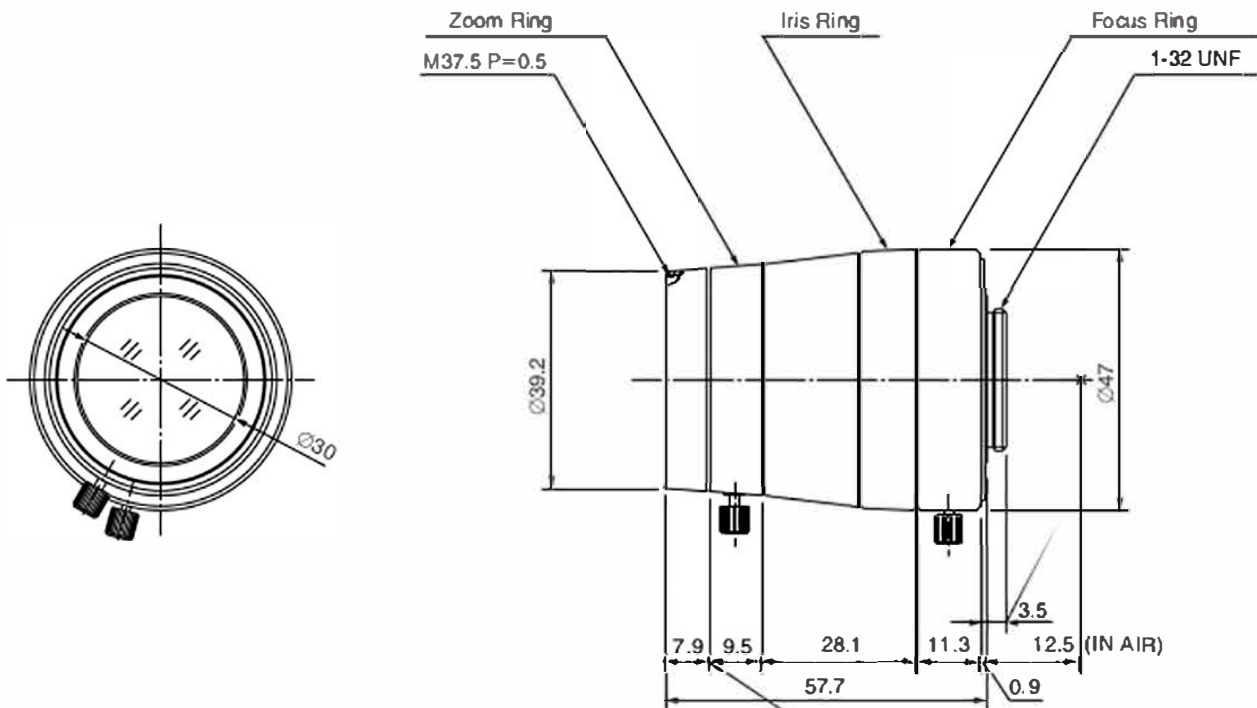
1/3  
type

Model No.	T10Z0513CS - 2		Effective	Front	Ø29.5mm
Focal Length	5mm - 50mm		Lens Aperture	Rear	Ø8.7mm
Max. Aperture Ratio	1:1.3		Back Focal Length	Tele	10.6mm
Max. Image Format	4.8mm x 3.6mm(Ø6mm)			Wide	10.5mm
Operation Range	Iris	F1.3 - F16C	Flange Back Length		12.5mm
	Focus	0.8m - Inf.	Mount		CS-Mount
	Zoom	5mm - 50mm	Filter Size		M37.5 P=0.5mm
Control	Iris	Manual	Dimensions		Ø47mm x 57.7mm
	Focus	Manual	Weight		125g
	Zoom	Manual			
Object Dimension at M.O.D.	5mm	77.7cm x 57.0cm			
	50mm	7.8cm x 6.0cm			
Angle of View	D	1/3 type	64.0° - 6.9°	1/4 type	48.8° - 5.3°
	H				39.2° - 4.3°
	V				29.5° - 3.2°
Operating Temperature	-20°C - +50°C				

M.O.D. : Minimum Object Distance

CS

## Dimensions



945 East 11<sup>th</sup> Avenue Tampa, FL 33605

Phone: (813) 984-0125

Contact: Sales@pyramidimaging.com

<https://pyramidimaging.com>