

TG5Z8513FCS-IR



Pyramid Imaging
 945 East 11th Avenue Tampa, FL 33605
 sales@pyramidimaging.com
 www.pyramidimaging.com
 813-786-3785

5X 8.5mm - 40mm F1.3 Day & Night type
for 1/3 type Format Cameras, Vari - Focal, Auto Iris DC Drive
CS-Mount

with Focus, w/o Amplifier

1/3 type

Model No.	TG5Z8513FCS-IR		Effective Lens Aperture	Front	Ø27.0mm	
Focal Length	8.5mm - 40mm		Back Focal Length	Rear	Ø9.3mm	
Max. Aperture Ratio	1:1.3		Length	Tele	10.6mm	
Max. Image Format	4.8mm x 3.6mm(Ø6mm)			Wide	9.0mm	
Operation Range	Ins	F1.3 - F360	Flange Back Length	12.5mm		
	Focus	0.8m - Inf.	Mount	CS-Mount		
	Zoom	8.5mm - 40mm	Filter Size	M37.5 P=0.5mm		
Control	Ins	Auto Iris	Dimensions	Ø41.7mm x 57.5mm x 62.9mm		
	Focus	Manual	Weight	114g		
	Zoom	Manual				
Object Dimension at M.O.D.	8.5mm	48.1cm x 34.5cm				
	40mm	10cm x 7.5cm				
Angle of View	D	1/3 type	43.9° - 8.9°	1/4 type	31.2° - 6.7°	
	H					24.4° - 5.3°
	V					
Coil	Drive	190 ohm				
	Control	1000 ohm				
Operating Temperature	-20°C - +50°C					

Operates in both visible and infrared light

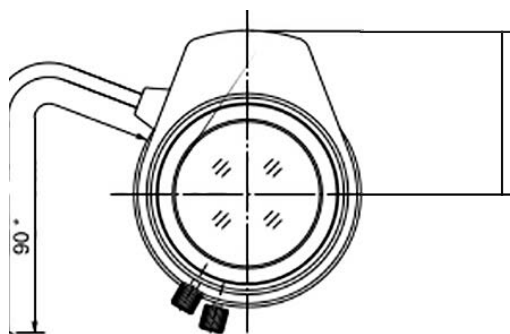
M.O.D : Minimum Object Distance

CS

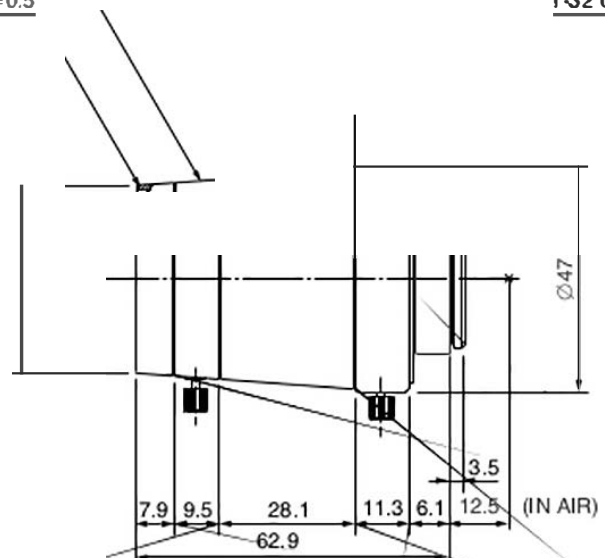
Dimensions

Zoom Ring
 M37.5 P=0.5

Focus Ring
 1-32 UNF



* : 310mm cable is available

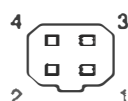


AG

Z

SP

Wiring Diagram



Pin No.

1	BROWN	Control (-)
2	RED	Control (+)
3	YELLOW	Drive (+)
4	ORANGE	Drive (-)