

# TG4Z2813FCS-IR

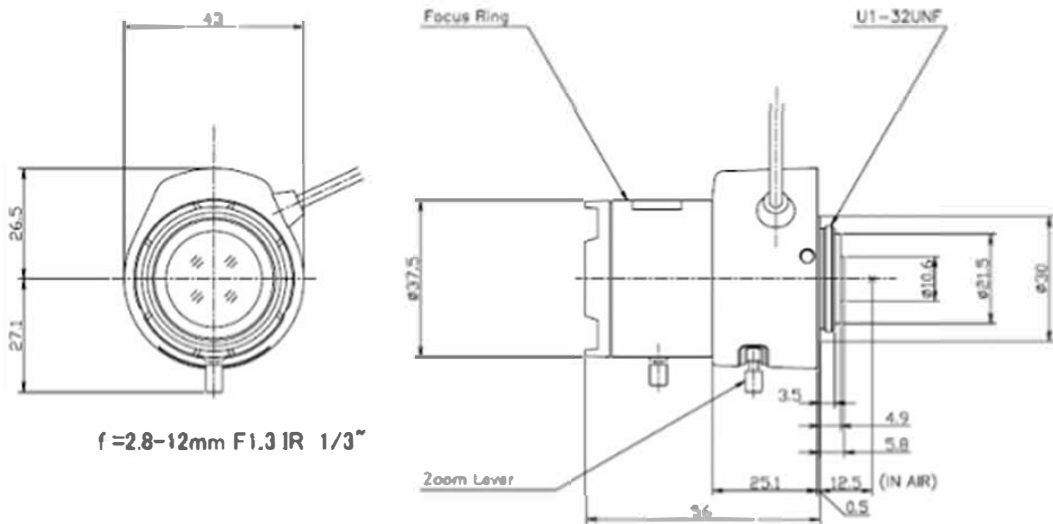


945 East 11th Avenue Tampa, FL 33605  
 sales@pyramidimaging.com  
 www.pyramidimaging.com  
 813-786-3785

**4X 2.8mm-12mm F1.3 Day & Night  
 for 1/3 type Cameras, Vari-focal Auto Iris DC Drive  
 CS-Mount**

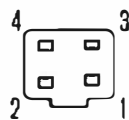
|                       |                       |              |                |                    |                        |   |
|-----------------------|-----------------------|--------------|----------------|--------------------|------------------------|---|
| Model No.             | TG4Z2813FCS-IR        |              | Effective      | Front              | φ 23.0mm               |   |
| Focal Length          | 2.8mm - 12mm          |              | Lens Aperture  | Rear               | φ 7.2mm                |   |
| Max. Aperture Ratio   | 1:1.3                 |              | Back Forcal    | Tele               | 20.2mm                 |   |
| Max. Image Format     | 4.8mm x 3.6mm (φ 6mm) |              | Length         | Wide               | 8.1mm                  |   |
| Operation Range       | Iris                  | F1.3 - F360C |                | Flange Back Length | 12.5mm                 |   |
|                       | Focus                 | 0.3m - Inf.  |                | Mount              | CS-Mount               |   |
|                       | Zoom                  | 2.8mm - 12mm |                | Filter Size        | -                      |   |
| Control               | Iris                  | DC Auto Iris |                | Dimensions         | φ 37.5mm x 48mm x 56mm |   |
|                       | Focus                 | Manual       |                | Weight             | 71g                    |   |
|                       | Zoom                  | Manual       |                |                    |                        |   |
| Angle of View         | D                     | 1/3 type     | 133° - 29.7°   | 1/4 type           | 95.0° - 22.3°          |   |
|                       | H                     |              | 102.2° - 23.8° |                    | 74.2° - 17.8°          |   |
|                       | V                     |              | 74.2           |                    | ° - 17.8°              | 5 |
| Coil                  | Drive                 | 190 Ω        |                |                    |                        |   |
|                       | Control               | 855 Ω        |                |                    |                        |   |
| Operating Temperature | -10°C - +50°C         |              |                |                    |                        |   |

## Dimensions



f = 2.8-12mm F1.3 IR 1/3"

## Wiring Diagram



| Pin No. | Color  | Function    |
|---------|--------|-------------|
| 1       | BROWN  | Control (-) |
| 2       | RED    | Control (+) |
| 3       | YELLOW | Drive (+)   |
| 4       | DRANGE | Drive (-)   |