

# TG3Z3510FCS-IR



Pyramid Imaging  
 945 East 11th Avenue Tampa, FL 33605  
 sales@pyramidimaging.com  
 www.pyramidimaging.com  
 813-786-3785

**3X 3.5mm - 10.5mm F1.0 Day & Night type**  
**for 1/3 type Format Cameras, Vari-focal Drive Auto Iris**  
**CS-Mount**

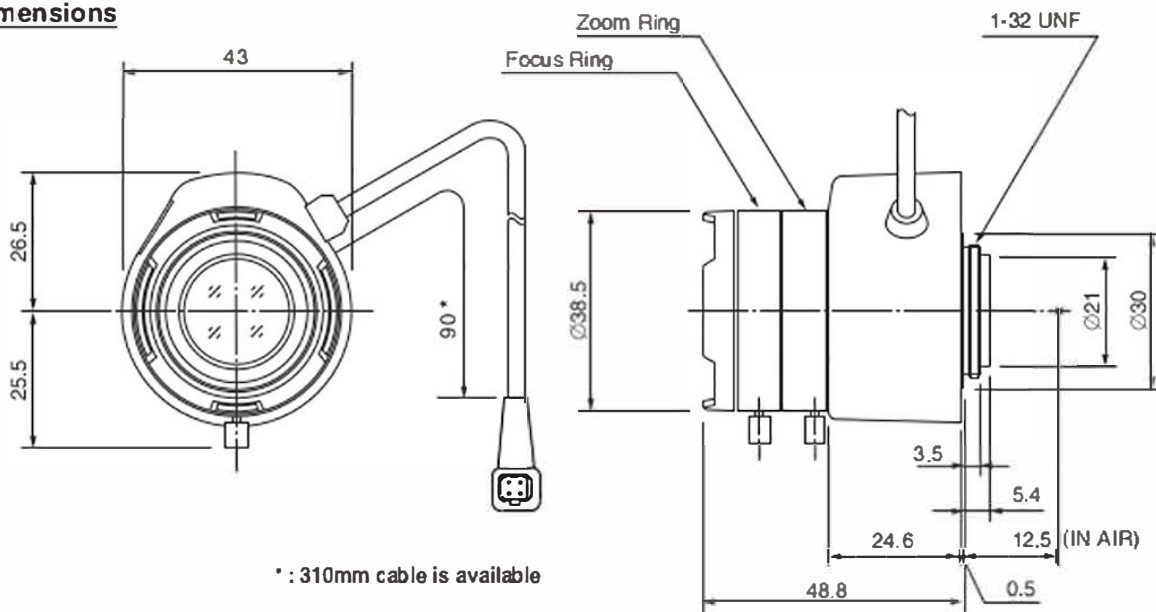
with Focus, w/o Amplifier

Model No.	TG3Z3510FCS-IR		Effective	Front	Ø18.6mm
Focal Length	3.5mm - 10.5mm		Lens Aperture	Rear	Ø10.2mm
Max. Aperture Ratio	1:1.0		Back Focal Length	Tele	16.3mm
Max. Image Format	4.8mm x 3.6mm(Ø6mm)			Wide	8mm
Operation Range	Iris	F1.0 - F360C	Flange Back Length		12.5mm
	Focus	0.3m - Inf.	Mount		CS-Mount
	Zoom	3.5mm - 10.5mm	Filter Size		—
Control	Iris	DC Auto Iris	Dimensions		Ø38.5mm x 48mm x 48.8mm
	Focus	Manual	Weight		65g
	Zoom	Manual			
Object Dimension at M.O.D.	3.5mm	52.0cm x 34.1cm			
	10.5mm	14.5cm x 10.8cm			
Angle of View	D	1/3 type	108.4° - 34.2°		
	H		81.6° - 27.2°		
	V		59.2° - 20.4°		
Coil	Drive	190 Ω			
	Control	850 Ω			
Operating Temperature	-20°C - +50°C				

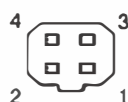
Operates in both visible and infrared light

M.O.D : Minimum Object Distance

## Dimensions



## Wiring Diagram



### Pin No.

1	BROWN	Control (-)
2	RED	Control (+)
3	YELLOW	Drive (+)
4	ORANGE	Drive (-)

1/3 type

CS

AG

Z

SP