

HG3Z1014FCS



Pyramid Imaging
 945 East 11th Avenue Tampa, FL 33605
 sales@pyramidimaging.com
 www.pyramidimaging.com
 813-786-3785

3X 10mm - 30mm F1.4
for 1/2 type Cameras, Vari-focal Auto Iris DC Drive
CS-Mount

with Focus, w/o Amplifier

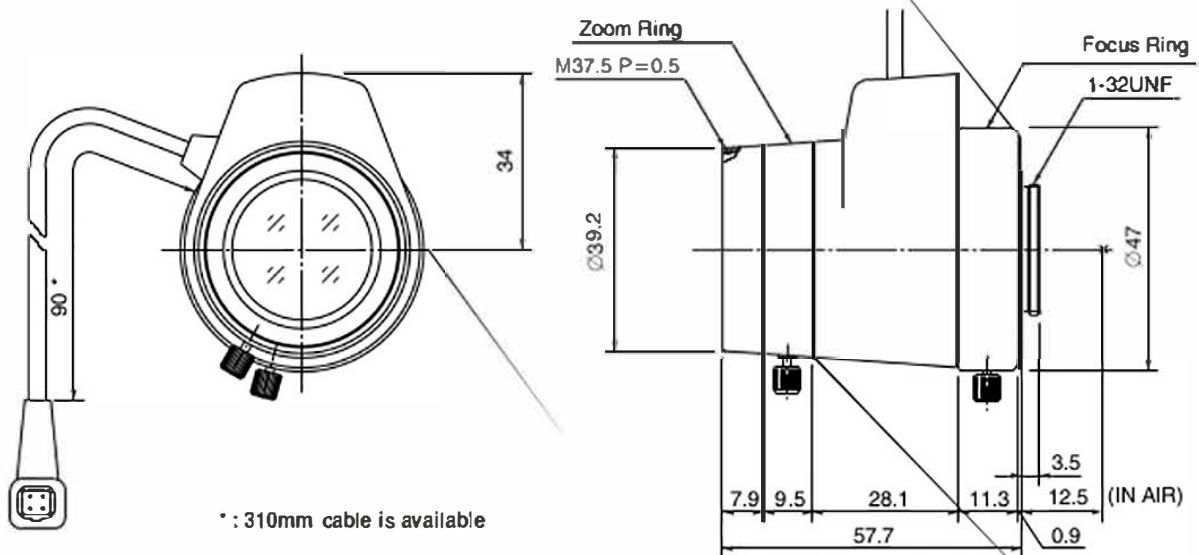
Model No.	HG3Z1014FCS		Effective	Front	Ø26.6mm		
Focal Length	10mm - 30mm		Lens Aperture	Rear	Ø9.0mm		
Max. Aperture Ratio	1:1.4		Back Focal	Tele	9.8mm		
Max. Image Format	6.4mm x 4.8mm(Ø8mm)		Length	Wide	11mm		
Operation Range	Iris	F1.4 - F360C		Flange Back Length	12.5mm		
	Focus	0.6m - Inf.		Mount	CS-Mount		
	Zoom	10mm - 30mm		Filter Size	M37.5 P=0.5mm		
Control	Iris	DC Auto Iris		Dimensions	Ø41.7mm x 57.5mm x 57.7mm		
	Focus	Manual		Weight	120g		
	Zoom	Manual					
Object Dimension at M.O.D.	10mm	38.8cm x 28.6cm					
	30mm	13.1cm x 9.9cm					
Angle of View	D	1/2 type	44.8° - 15.6°	1/3 type	35.6° - 11.7°	1/4 type	25.1° - 8.8°
	H		35.8° - 12.5°				20.1° - 7.0°
	V		26.8° - 9.4°				15.0° - 5.3°
Coil	Drive	190Ω					
	Control	1000Ω					
Operating Temperature	-20°C - +50°C						

1/2 type

CS

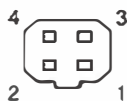
M.O.D : Minimum Object Distance

Dimensions



* : 310mm cable is available

Wiring Diagram



Pin No.

1	BROWN	Control (-)
2	RED	Control (+)
3	YELLOW	Drive (+)
4	ORANGE	Drive (-)