

TG2Z1816FCS



Pyramid Imaging
 945 East 11th Avenue Tampa, FL 33605
 sales@pyramidimaging.com
 www.pyramidimaging.com
 813-786-3785

2X 1.8mm - 3.6mm F1.6
for 1/3 type Cameras, Vari-focal Auto Iris DC Drive
CS-Mount

with Focus, w/o Amplifier

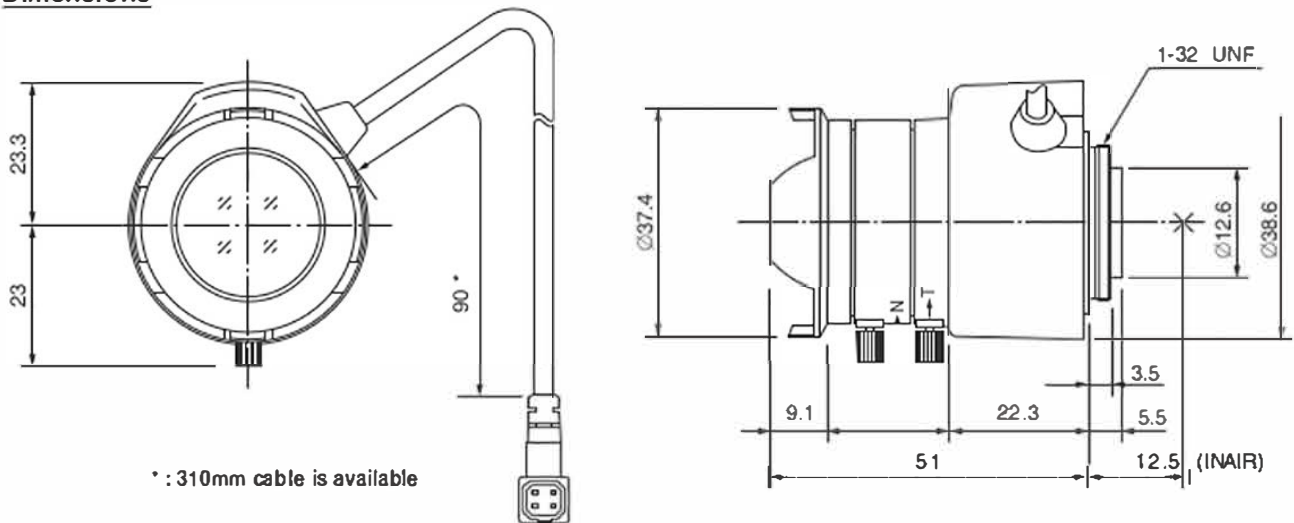
Model No.	TG2Z1816FCS			Effective	Front	Ø22.0mm	
Focal Length	1.8mm - 3.6mm			Lens Aperture	Rear	Ø7.9mm	
Max. Aperture Ratio	1:1.6			Back Focal	Tele	10.5mm	
Max. Image Format	4.8mm x 3.6mm(Ø6mm)				Length	Wide	7.0mm
Operation Range	Iris	F1.6 - F360C		Flange Back Length		12.5mm	
	Focus	0.2m - Inf.		Mount		CS-Mount	
	Zoom	1.8mm - 3.6mm		Filter Size		—	
Control	Iris	DC Auto Iris		Dimensions		Ø37.4mm x 42.6mm x 51mm	
	Focus	Manual		Weight		78g	
	Zoom	Manual					
Object Dimension at M.O.D.	1.8mm	123.8cm x 56.5cm					
	3.6mm	33.2cm x 22.9cm					
Angle of View	D	1/3 type	173.8° - 99.0°	1/4 type	135.8° - 74.4°		
	H		144.2° - 79.4°			109.5° - 59.6°	
	V		109.4° - 59.6°			82.3° - 44.7°	
Coil	Drive	190Ω					
	Control	855Ω					
Operating Temperature	-20°C - +50°C						

1/3 type

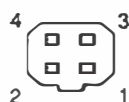
CS

M.O.D : Minimum Object Distance

Dimensions



Wiring Diagram



Pin No.

1	BROWN	Control (-)
2	RED	Control (+)
3	YELLOW	Drive (+)
4	ORANGE	Drive (-)