

## M3514-MP

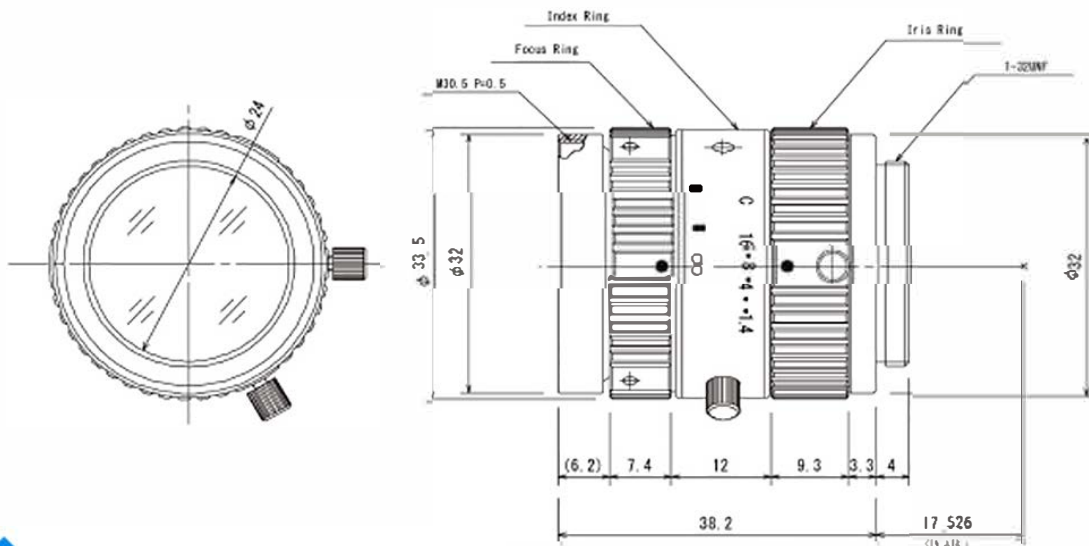
f=35mm F1.4  
for 2/3 type Megapixel Cameras  
C-Mount



Model No.	M3514-MP		Effective	Front	φ 24mm		
Focal Length	35mm		Lens Aperture	Rear	φ 12mm		
Max. Aperture Ratio	1:1.4		Distortion	2/3 type	-0.8%(γ=5.5)		
Max. Image Format	8.8mm x 6.6mm (φ 11mm)			1/2 type	-0.39%(γ=4.0)		
Operation Range	Iris	F1.4 - F16C	Back Focal Length	17.1mm			
	Focus	0.3m - Inf.	Flange Back Length	17.526mm			
Control	Iris	Manual	Mount	C-Mount			
	Focus	Manual	Filter Size	M30.5 P=0.5mm			
Object Dimension at M.O.D	2/3 type	8.1cm x 6cm	Dimensions	φ 33.5mm x 38.2mm			
	1/2 type	5.9cm x 4.4cm	Weight	87g			
Angle of View	D	2/3 type	17.3°	1/2 type	12.6°		
						H	13.9°
						V	10.4°
Operating Temperature	-10°C - +50°C						

M.O.D : Minimum Object Distance

### Dimensions



945 East 11<sup>th</sup> Avenue Tampa, FL 33605

Phone: (813) 984-0125

Contact: Sales@pyramidimaging.com

<https://pyramidimaging.com>