

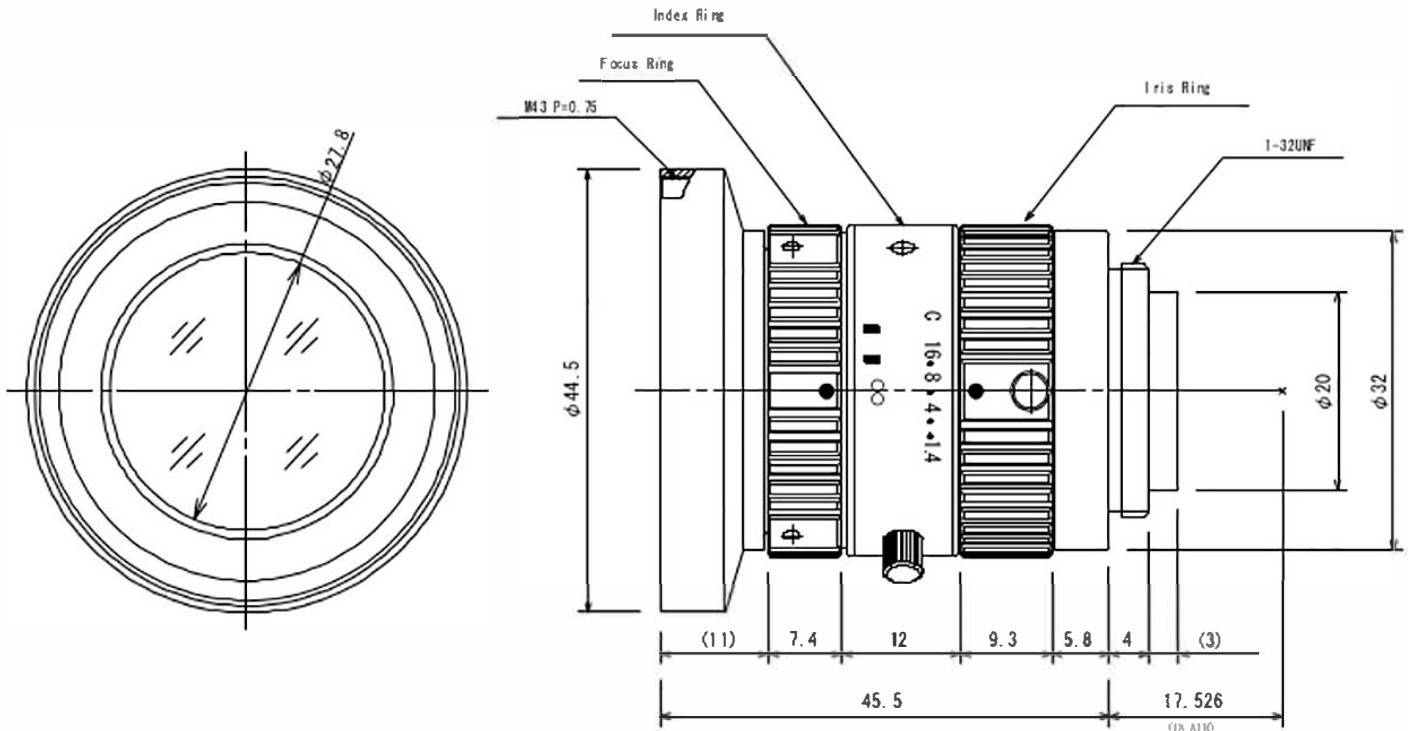
H0514-MP2

f=5mm F1.4
for 1/2 type Megapixel Cameras
C-Mount

| | | | | | | | |
|---------------------------|---------|---------------------|-------|--------------------|---------|-------------------|--|
| Model No. | | H0514-MP2 | | Effective | Front | φ 27.8mm | |
| Focal Length | | 5mm | | Lens Aperture | Rear | φ 14.8mm | |
| Max. Aperture Ratio | | 1:1.4 | | Distortion | 1/2type | -0.48%(γ=4.0) | |
| Max. Image Format | | 6.4mm x 4.8mm(φ8mm) | | | 1/3type | -2.26%(γ=3.0) | |
| Operation Range | Iris | F1.4 - 16C | | Back Focal Length | | 10.8mm | |
| | Focus | 0.1m - 0.9m | | Flange Back Length | | 17.526mm | |
| Control | Iris | Manual | | Mount | | C-Mount | |
| | Focus | Manual | | Filter Size | | M43 P=0.75mm | |
| Object Dimension at M.O.D | 1/2type | 15.0cm x 11.1cm | | Dimensions | | φ 44.5mm x 45.5mm | |
| | 1/3type | 11.1cm x 8.3cm | | Weight | | 102g | |
| Angle of View | D | 1/2 type | 76.7° | 1/3 type | 62.3° | | |
| | H | | 65.5° | | 51.4° | | |
| | V | | 51.4° | | 39.5° | | |
| Operating Temperature | | -10°C - +50°C | | | | | |

M.O.D : Minimum Object Distance

Dimensions



945 East 11th Avenue Tampa, FL 33605

Phone: (813) 984-0125

Contact: Sales@pyramidimaging.com

<https://pyramidimaging.com>

