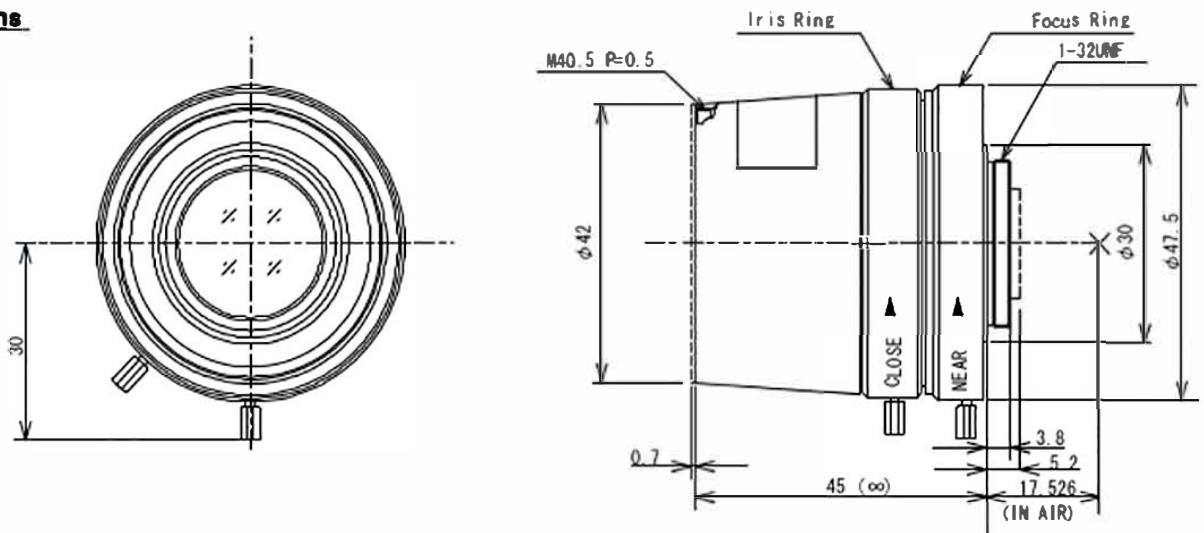


# M1616FIC-MP

**f=16mm F1.6**  
**for 2/3 type 5 Megapixel Cameras, Fixed-focal, Manual Iris**  
**C-Mount**

Model No.	M1616FIC-MP		Effective	Front	φ 21.9mm		
Focal Length	16mm		Lens Aperture	Rear	φ 11.0mm		
Max. Aperture Ratio	1:1.6		Back Focal Length		13.3mm		
Max. Image Format	6.6mm x 8.8mm(φ 11mm)		Flange Back Length		17.526mm		
Operation Range	Iris	F1.6 - F16C		Mount		C-Mount	
	Focus	1m - Inf.		Filter Size		M40.5 × 0.5	
	Zoom	-		Dimensions		φ 47.5mm × 45mm	
Control	Iris	Manual		Weight		1393 g	
	Focus	Manual					
	Zoom	-					
Angle of View	D	2/3 type	38.0°	1/2 type	28.1°	1/3 type	21.3°
	H		30.8°		22.7°		17.1°
	V		23.4°		17.1°		12.9°
Operating Temperature	-10°C - +50°C						

## Dimensions



945 East 11<sup>th</sup> Avenue Tampa, FL 33605

Phone: (813) 984-0125

Contact: Sales@pyramidimaging.com

<https://pyramidimaging.com>