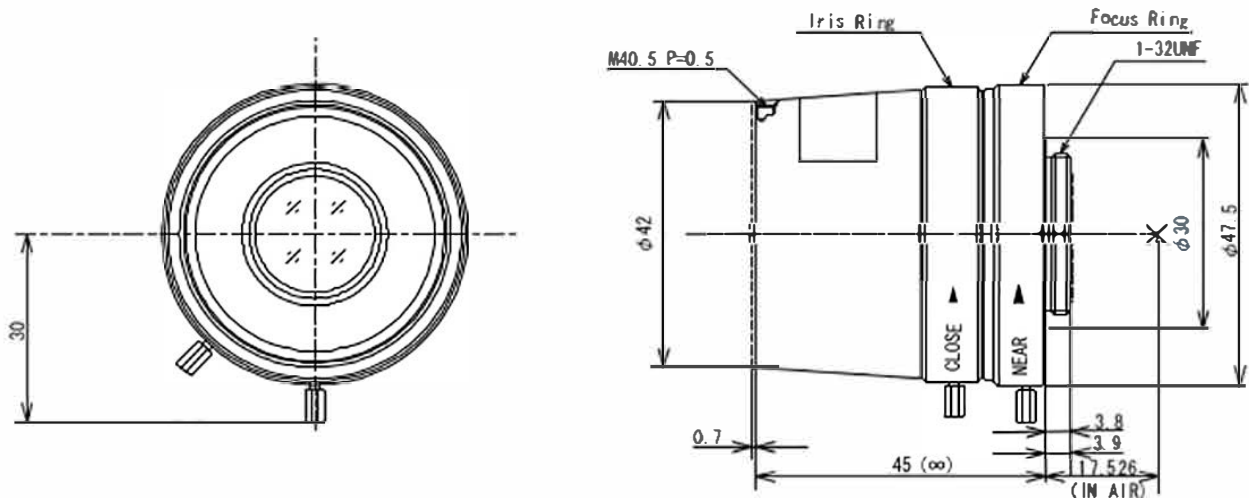


M1218FIC-MP

f=12mm F1.8
for 2/3 type 5 Megapixel Cameras, Fixed focal, Manual Iris
G-Mount

Model No.	M1218FIC-MP			Effective	Front	φ 20.0mm	
Focal Length	12mm			Lens Aperture	Rear	φ 13.2mm	
Max. Aperture Ratio	1:1.8			Back Focal Length		15.0mm	
Max. Image Format	6.6mm x 8.8mm(φ 11mm)			Flange Back Length		17.526mm	
Operation Range	Iris	F1.8 - F16C		Mount		C-Mount	
	Focus	1m - Inf.		Filter Size		M40.5 × 0.5	
	Zoom	-		Dimensions		φ 47.5mm × 45mm	
Control	Iris	Manual		Weight		1322 g	
	Focus	Manual					
	Zoom	-					
Angle of View	D	2/3 type	48.0°	1/2 type	36.0°	1/3 type	27.4°
	H		39.3°		29.1°		22.0°
	V		30.0°		22.0°		16.6°
Operating Temperature	-10°C - +50°C						

Dimensions



945 East 11th Avenue Tampa, FL 33605

Phone: (813) 984-0125

Contact: Sales@ pyramidimaging.com

<https://pyramidimaging.com>