

M6Z1212M



945 East 11th Avenue Tampa, FL 33605
 sales@pyramidimaging.com
 www.pyramidimaging.com
 813-786-3785

6X 12.5mm - 75mm F1.2
for 2/3 type Cameras, Motorized Zoom
C-Mount

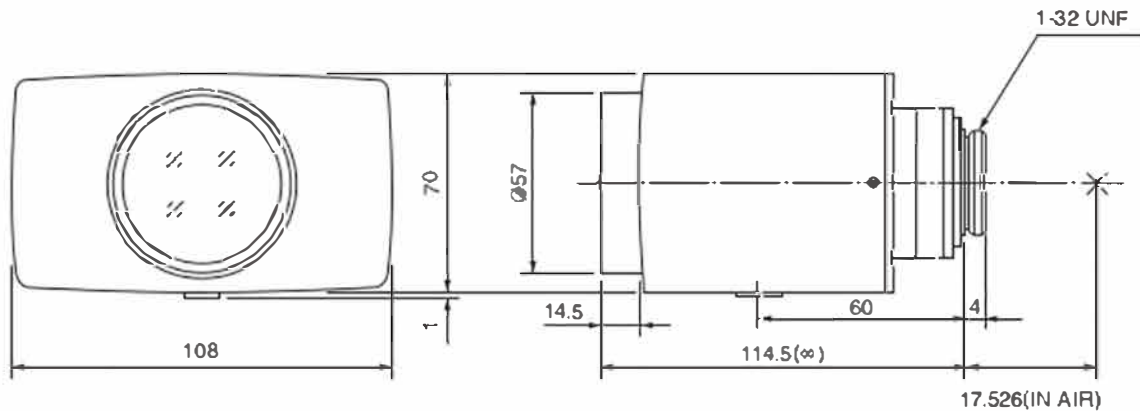
2/3
type

C

Model No.	M6Z1212M		Effective	Front	Ø46.5mm			
Focal Length	12.5mm - 75mm		Lens Aperture	Rear	Ø15.6mm			
Max. Aperture Ratio	1:1.2		Back Focal Length	15.4mm				
Max. Image Format	8.8mm x 6.6mm(Ø11mm)		Flange Back Length	17.526mm				
Operation Range	Iris	F1.2 - F16C		Mount	C-Mount			
	Focus	1.0m - Inf.		Filter Size	M55 P=0.75mm			
	Zoom	12.5mm - 75mm		Tripod Screw	1/4 - 20UNC			
Control	Iris	Motorized		Dimensions	W108mm x H71mm x D114.5mm			
	Focus	Motorized		Weight	750g			
	Zoom	Motorized						
Object Dimension at M.O.D.	12.5mm	68.8cm x 51.6cm						
	75mm	12.1cm x 9cm						
Angle of View	D	2/3 type	46.9° - 8.3°	1/2 type	35.0° - 6.2°	1/3 type	26.5° - 4.7°	
	H		38.3° - 6.7°				29.2° - 5.1°	21.3° - 3.8°
	V		29.2° - 5.1°				21.3° - 3.8°	16.0° - 2.8°
		Iris	Focus	Zoom				
Supply Voltage	DC8V		DC8V	DC8V				
Current	30mA or less		30mA or less	25mA or less				
Response Time	Approx. 3 sec.		Approx. 5 sec.	Approx. 4 sec.				
Preset Potentiometer	--		--	--				
Operating Temperature	-10°C - +50°C							

M.O.D. : Minimum Object Distance

Dimensions



Wiring Diagram

